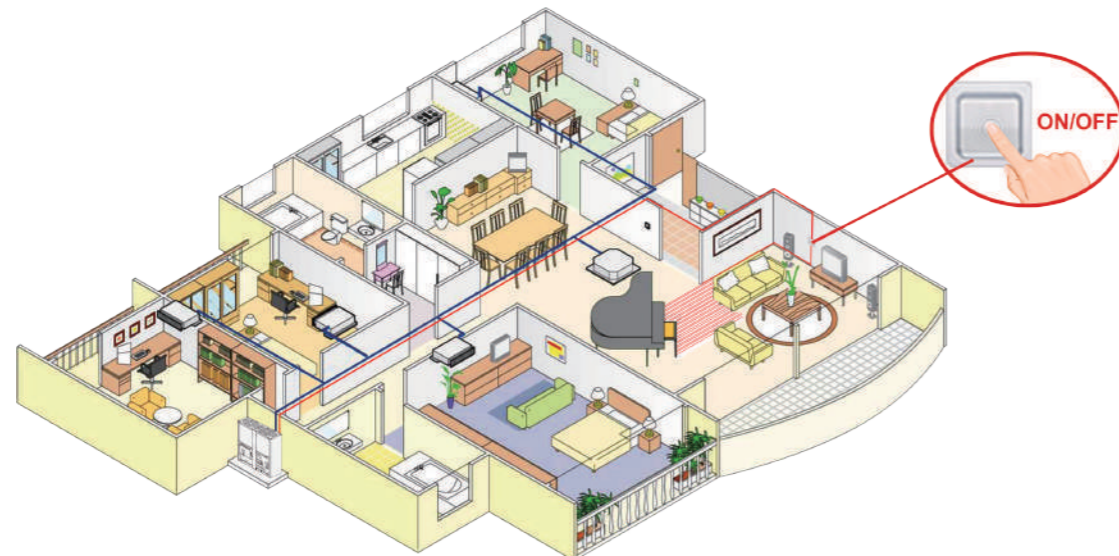


Easy control >>

- ❖ Touch key wire controller as standard accessory to control the chillers.



- ❖ Remote control functions for convenient operation. There are ON/OFF, Heat/Cool and Alarm terminals ports on PCB, connect switches from these terminal ports and remote control functions can be easily realized.



Note: When use the remote control function, the wired controller will be invalid for ON/OFF and mode selection.

Specifications

50Hz PS & PS-LA series (Fixed type)

Model			MGB-F200W/RN1(B) MGBL-F200W/RN1	MGBL-F250W/RN1
Power supply	V/Ph/Hz		380-415/3/50	380-415/3/50
Cooling ¹	Capacity	kW	185	250
	Input	kW	63.0	78.3
	EER		2.93	3.19
Heating ²	Capacity	kW	200	270
	Input	kW	61.0	80.0
	COP		3.27	3.38
Max running current	A		150	200
Compressor	Type		Fixed Scroll	Fixed Scroll
	Quantity	Pieces	6	8
Air side heat exchanger	Type		Fin-coil	Fin-coil
	Fan motor type		AC Motor	AC Motor
	Quantity of fan motor	Pieces	6	8
	Air flow	m ³ /h	72,000	96,000
Water side heat exchanger	Type		Shell-tube	Shell-tube
	Water pressure drop	kPa	30	40
	Volume	L	90	131
	Water flow volume	m ³ /h	31.8	43
Refrigerant	Type		R410A	R410A
	Charged volume	kg	42.0	60.0
	Throttle type		EXV	EXV+Capillary
Sound pressure level ³	dB(A)		74	74
Unit net dimension(DxHxW)	mm		2,850x2,110x2,000	3800x2130x2000
Packing dimension(DxHxW)	mm		2,980x2,260x2,135	3900x2200x2100
Net/ Gross weight	kg		1730/2,000	2,450/2,600
Pipe connections	Water inlet/outlet	mm	DN80	DN100
Controller			Wired controller	Wired controller
Ambient temperature range	Cooling	°C	10~46	10~46
	Heating	°C	-10~24	-10~24
Ambient temperature range ⁴	Cooling	°C	-10~46	-10~46
	Heating	°C	-10~24	-10~24
Water outlet temperature range	Cooling	°C	5~17	5~17
	Heating	°C	40~50	40~50
Water outlet temperature range ⁵	Cooling	°C	0~17	0~17
	Heating	°C	22~50	22~50

1. Cooling: Chilled water inlet/outlet temperature: 12/7°C, outdoor ambient temperature 35°C DB.
 2. Heating: Warm water inlet/outlet temperature: 40/45°C, outdoor ambient temperature 7°C DB/6°C WB.
 3. 1m away in open field.
 4. The data is for PS-LA series.
 5. The data is for low water outlet temperature function



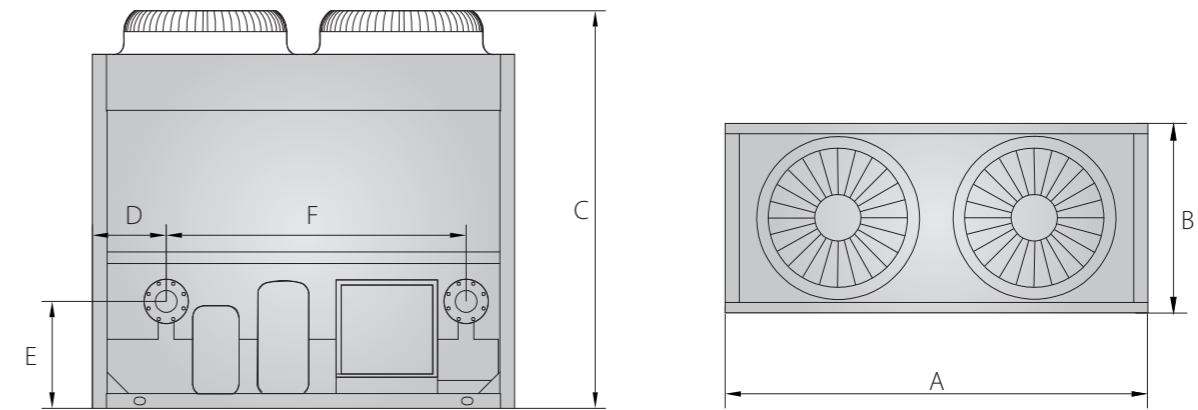
60Hz PS series

Model			MGB-F65W/PN1
Power supply		V/Ph/Hz	380/3/60
Cooling ¹	Capacity	kW	65
	Input	kW	21.3
	EER		3.20
Heating ²	Capacity	kW	70
	Input	kW	21.9
	COP		3.20
Max running current		A	51.5
Compressor	Type		Fixed Scroll
	Quantity	Pieces	2
Air side heat exchanger	Type		Finned tube
	Fan motor type		AC Motor
	Quantity of fan motor	Pieces	2
	Air flow	CFM(m ³ /h)	14,126(24,000)
Water side heat exchanger	Type		Shell-tube
	Water pressure drop	kPa	15
	Volume	L	42
	Water flow volume	CFM(m ³ /h)	6.6(11.2)
Refrigerant	Type		R410A
	Charged volume	lbs(kg)	30.8(14.0)
	Throttle type		EXV
Sound pressure level ³		dB(A)	67
Unit net dimension(DxHxW)		inch	78-47/64x74-1/64x35-7/16
		mm	2,000x1,880x900
Packing dimension(DxHxW)		inch	82-9/32x80-29/32x38-25/32
		mm	2,090x2,055x985
Net/Gross weight		lbs	1,301/1,389
		kg	590/630
Pipe connections	Water inlet/outlet	mm	DN100
Controller			Wired controller
Ambient temperature range	Cooling	°F(°C)	50~118(10~48)
	Heating	°F(°C)	14~75(-10~24)
Water outlet temperature range	Cooling	°F(°C)	41~63(5~17)
	Heating	°F(°C)	113~122(45~50)

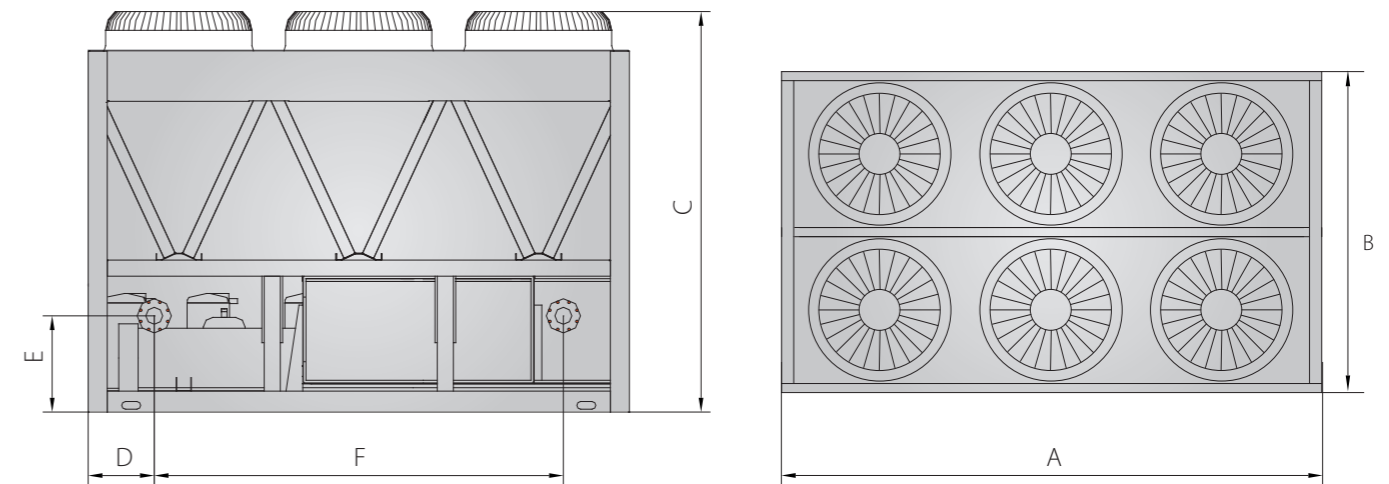
1. Cooling: Chilled water inlet/outlet temperature: 12/7°C, outdoor ambient temperature 35°C DB.
 2. Heating: Warm water inlet/outlet temperature: 40/45°C, outdoor ambient temperature 7°C DB/6°C WB.
 3. 1m away in open field.

Dimensions (Unit:mm)

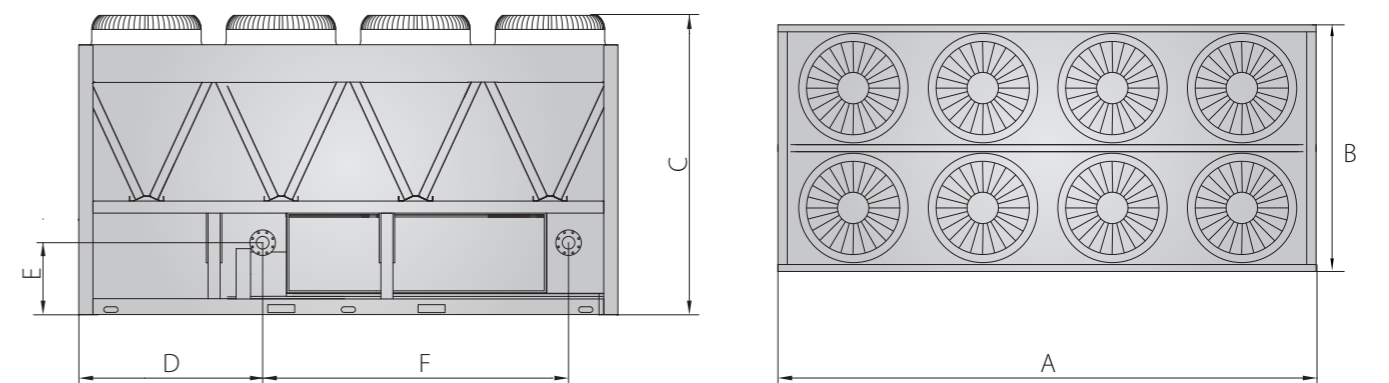
65kW module >>



200kW module >>



250kW module >>



Model	A	B	C	D	E	F
MGB-F65W/PN1	2000	900	1880	350	506	1420
MGB-F200W/RN1(B) MGBL-F200W/RN1	2850	2000	2110	347	506	2156
MGBL-F250W/RN1	3800	2000	2130	1235	573	2156

